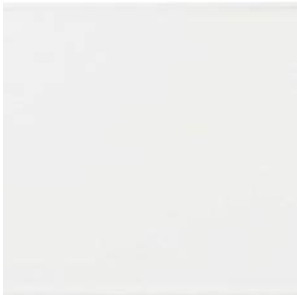


■ NEMO

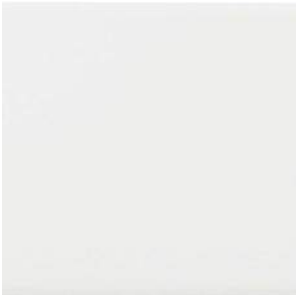
BRICK



BRICK COLORS



WHITE
DEBOSSSED



WHITE
EMBOSSSED



SMOKE
DEBOSSSED



SMOKE
EMBOSSSED



COCOA
DEBOSSSED



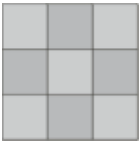
COCOA
EMBOSSSED



SWEETWOOD
DEBOSSSED



SWEETWOOD
EMBOSSSED



V1
Uniform Appearance

Sizes



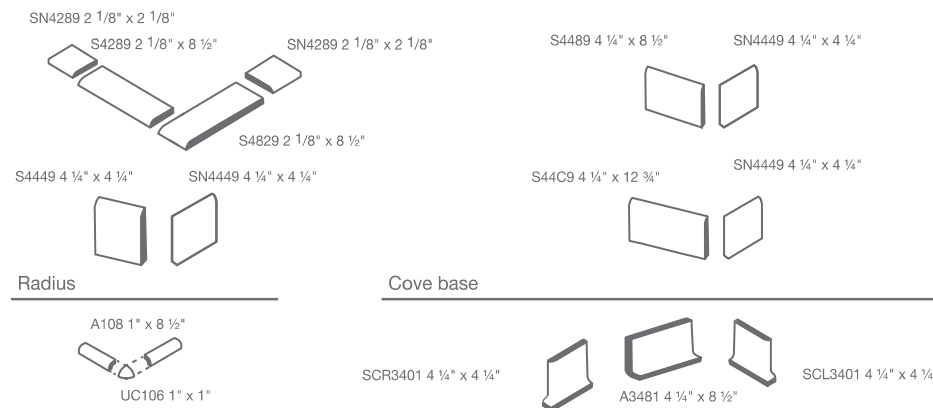
4¼" x 12¾"

4¼" x 8½"

4¼" x 4¼"

Coordinating Wall Tile Collection and Solids InDesign Trim (available in all colors)

Surface trim



Technical Data

Test Results:	Brick:	ASTM #:
Wear Rating	15% - 20%	PEI
Coefficient of Friction	>150 lbs.	C1028
Dynamic Coefficient of Friction	Resistant	C1028
Scratch Hardness	>50 psi	Mohs Scale
Water Absorption	Resistant	C373
Breaking Strength	17%	C648
Frost Resistance	Resistant	C1026
Thickness	7.3 - 7.7 mm	N/A



 **NEMO**
NEMOTILE.COM

BRICK