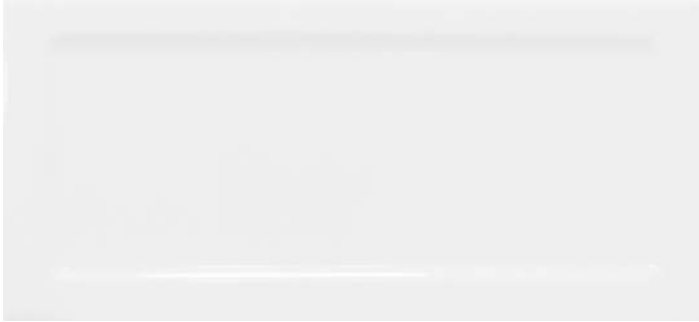


■ NEMO
UP & DOWN

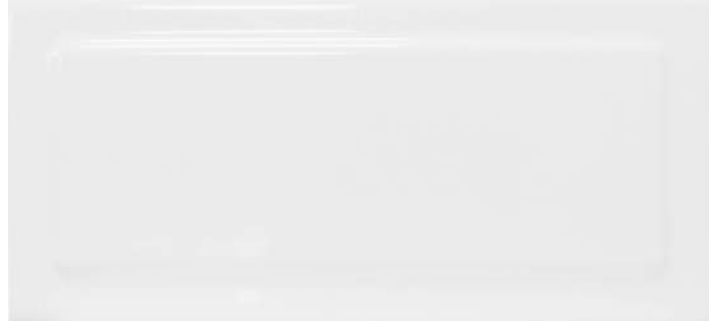


UP & DOWN

COLORS



WHITE GLOSS DOWN



WHITE GLOSS UP



DARK GREY
GLOSS DOWN



DARK GREY
GLOSS UP

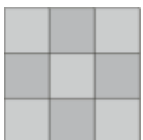


ARROW WOOD
GLOSS DOWN



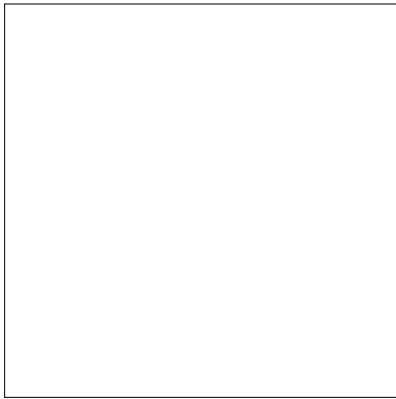
ARROW WOOD
GLOSS UP

* Ceramic Tile Available in Gloss and Matte Finish



V1
Uniform Appearance

UP & DOWN SIZES

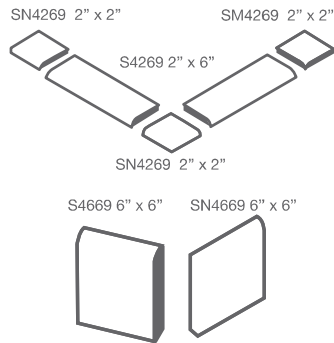


6x6

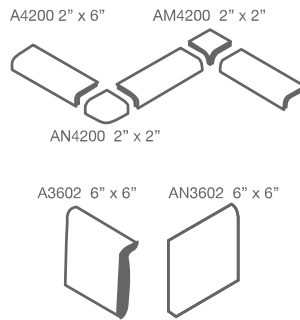


3x6

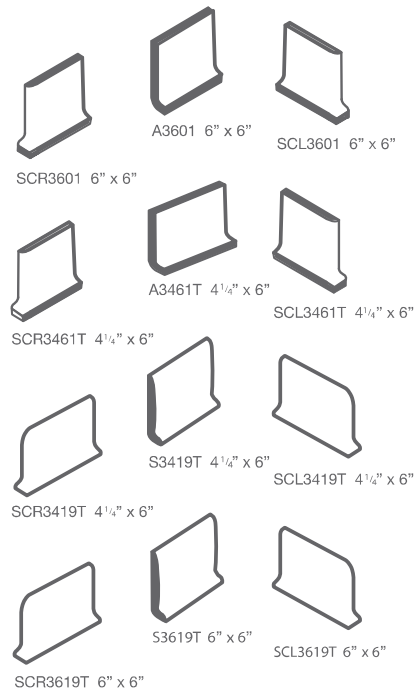
surface trim



radius trim



cove base trim



Up & Down

STS Low

Wall Tile White Body Standard Glazed

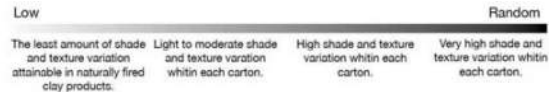
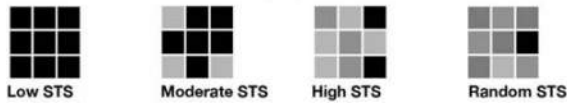


Property	Results:	ANSI Standards:	ASTM Designations:
Water Absorption (%)	<20%	<20	ASTM C373
Breaking Strength (Lbs)	>150	>150	E.N. ISO 13006
Chemical Resistance	Resistant	Resistant	ASTM C650
Bonding Strength (psi)	>50	>=50	ASTM C482
Crazing Resistance	Resistant	Resistant	ASTM C424
Stain Resistance	Resistant	Resistant	ASTM C1378

Variations in shade or color

Variations in shade or color are inherent in all fired clay products and are one of the natural qualities which help create the beautiful effects characteristic of tile. Blending of tiles from at least six different boxes during installation is recommended to achieve best results. This is especially important when installing skid-inhibiting tiles, as shine can differ under certain lighting conditions.

SHADE AND TEXTURE SPECTRUM (STS)



Sizes
All sizes are sold on a nominal (approximate) basis.



UP & DOWN